



CLEANING INSTRUCTIONS PEDITROL FOOT PUMP

DATE

30 March 2020

PEDITROL FOOT PUMP URO 002 CLEANING INSTRUCTIONS



The Peditrol Foot Pump is a non-sterile device; the Foot Pump should be cleaned on a regular basis to avoid the unit building up a sticky residue from water, blood, urine and to prolong the life span of the Foot Pump.

After every use the Peditrol Foot Pump should be cleaned using the following method:

Part 1 - Regular Cleaning Instruction

1. Rinse the Foot Pump off under warm running water.
2. Take a standard brush and apply detergent based cleaner and brush for +/- 5min concentrating on the joins and crevice's
3. Scrub the Foot Pump focusing on the:
 - Manifold insert
 - Foot Pump nest (syringe insert)
 - Spring
 - Connection between the plate and heel rest
 - Screws
4. Rinse the unit **thoroughly**, using the soft bristle brush to remove any soap residue
5. Pat the unit dry, focusing on any areas where excess water may accumulate
6. Once the unit is 100% dry, store in a cool, dry place
7. Once a month spray the bearings, screws, spring and the plate and heel rest with a light duty lubricating agent (WD-40, Q20 or similar)

Part 2 - TROUBLE SHOOTING

Should it become difficult for it to load the syringe into the nest of the Foot Pump please follow the below instructions for cleaning:

The reason the syringe may become difficult to load, is due to a residue build up around the bearings inside the Foot Pump nest. This causes the small spaces around the pump to become sticky resulting in them been unable to move freely.

1. Place the Foot Pump submerged in Warm – Hot water with a detergent based cleaner and soak overnight to allow the trapped dirt to become lose.
2. Follow the regular cleaning Instruction.
3. Take a soft bristle brush and apply a sanitizing agent to the brush.

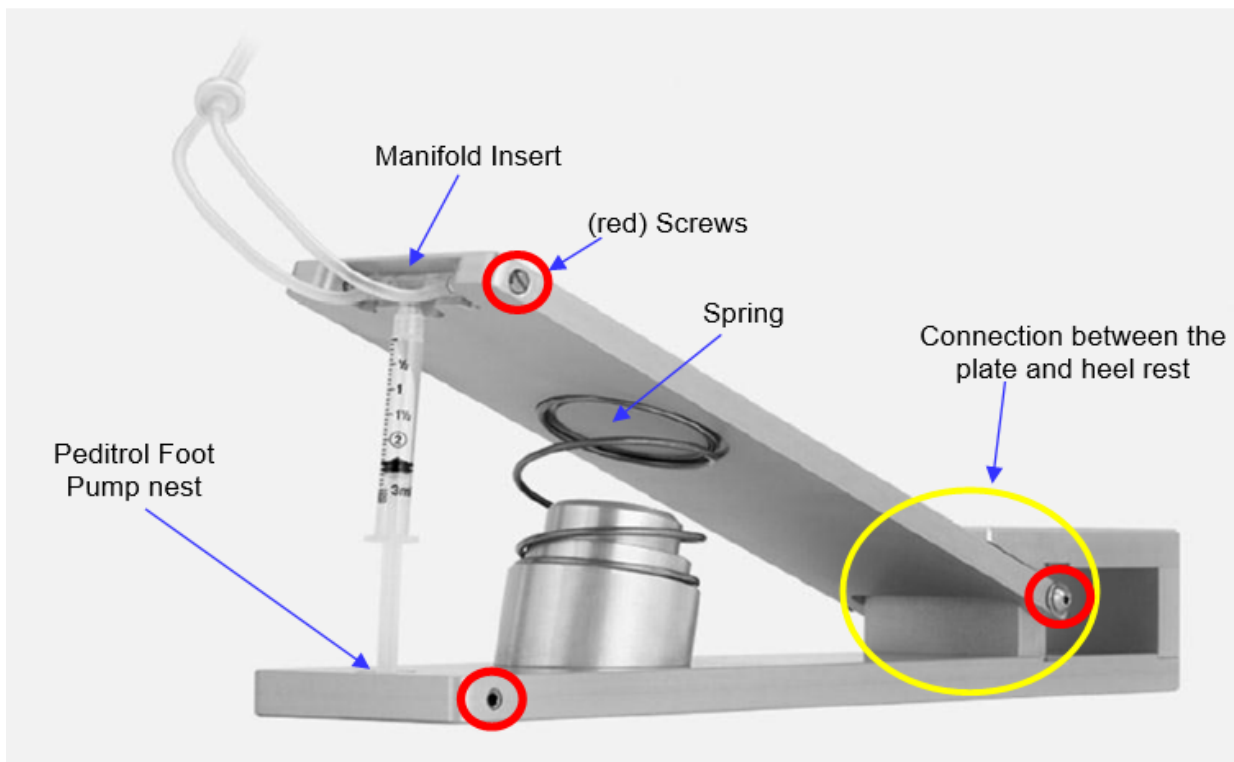


CLEANING INSTRUCTIONS PEDITROL FOOT PUMP

DATE

30 March 2020

4. Scrub the Foot Pump focusing on the:
 - Manifold insert
 - Foot Pump nest (syringe insert)
 - Spring
 - Connection between the plate and heel rest
 - Screws
5. Rinse the unit **thoroughly**, using the soft bristle brush to remove any soap residue
6. Take a large screw driver and push the bearings in the nest back. You will need to apply moderate amount of pressure.
7. Once the bearing has been pushed back the spring will be released and the dirt trapped inside the pump nest can be removed, rinse under Lukewarm water to remove excess dirt and use the soft bristle brush to assist in removing any excess dirt left behind.
8. Pat the unit dry, focusing on any areas where excess water may accumulate
9. Spray the unit with a 70+% alcohol spray to assist the process of drying.
10. Once the unit is 100% dry, spray the bearings, screws, spring and the plate and heel rest with a light duty lubricating agent (WD-40, Q20 or similar)
11. Store in a cool, dry place

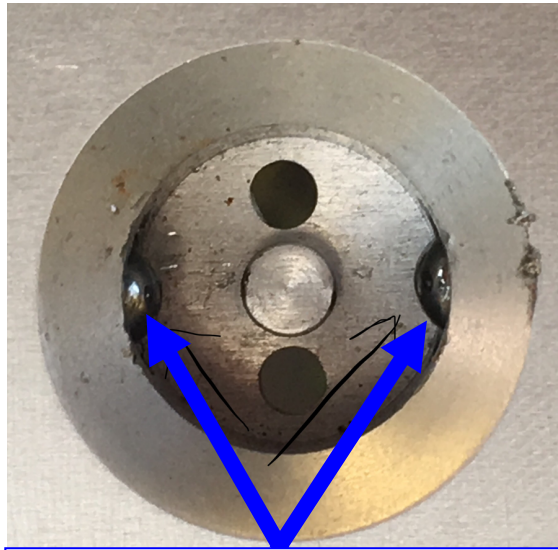




CLEANING INSTRUCTIONS PEDITROL FOOT PUMP

DATE

30 March 2020



BEARINGS INSIDE FOOT PUMP NEST



PUSH BEARING IN WITH A
SCREWDRIVER